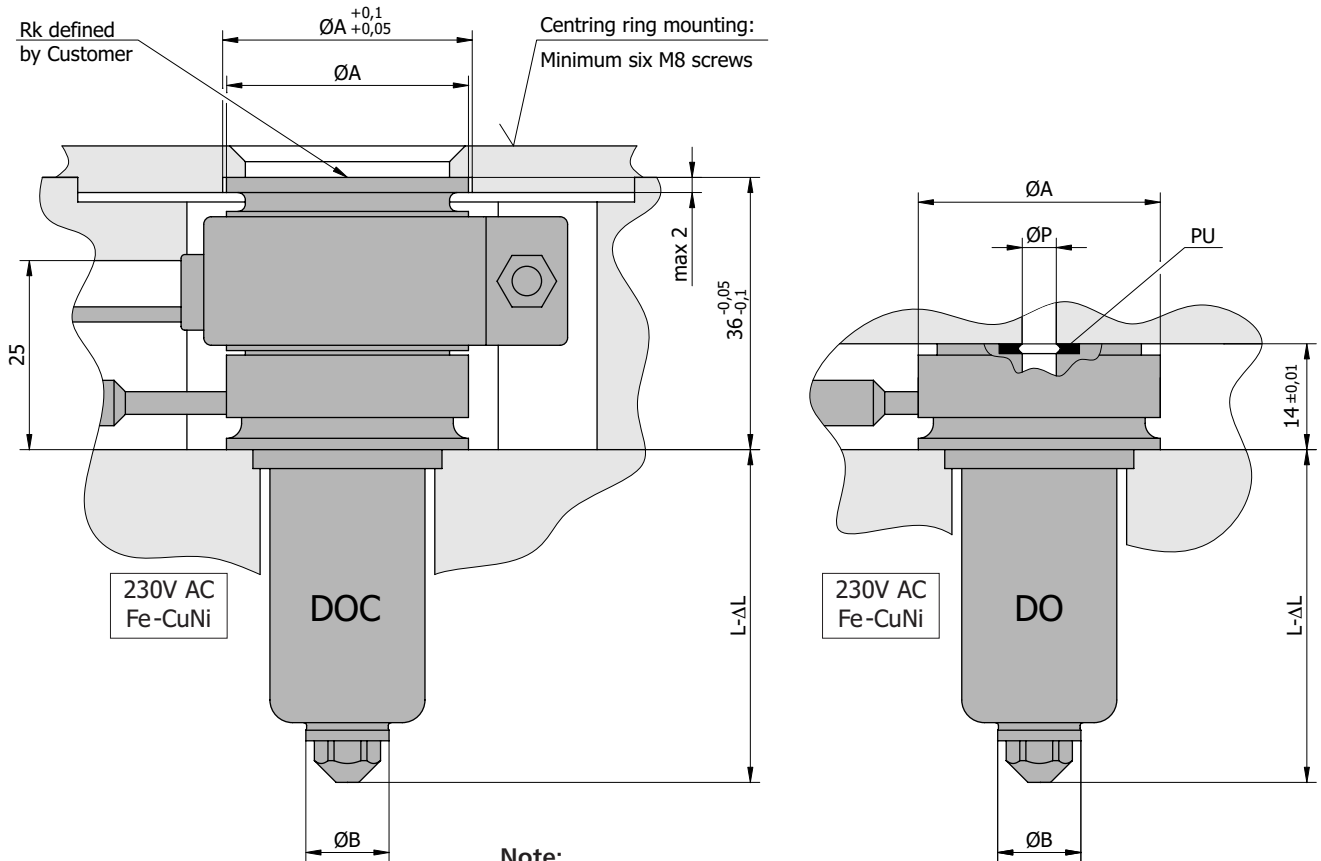
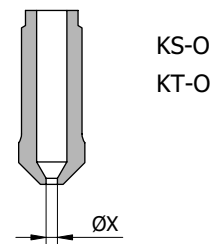
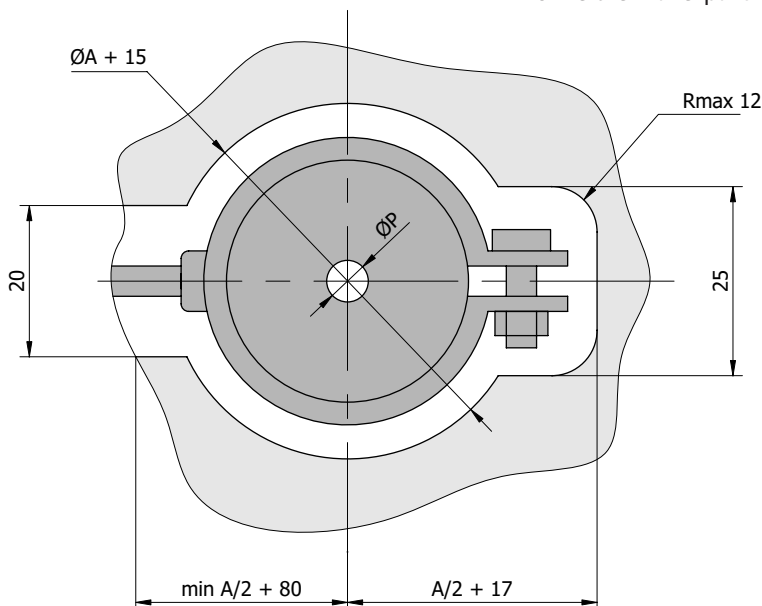


Single nozzles DOC and nozzles for multicavity moulds DO



Note:
 • $\Delta L \cong 0,0025 L$ – Dimension including nozzle thermal expansion.

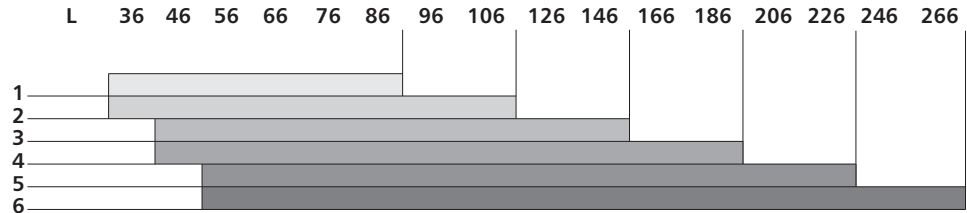


- KS** – standard tip made of beryllium bronze. Processing all non-reinforced plastics and plastics without anti-burn additives. Processing temperature up to 280°C.
- KT** – special tip made of tungsten alloys. Processing of all plastics, including reinforced ones and plastics with anti-burn additives. Processing temperature up to 360°C.

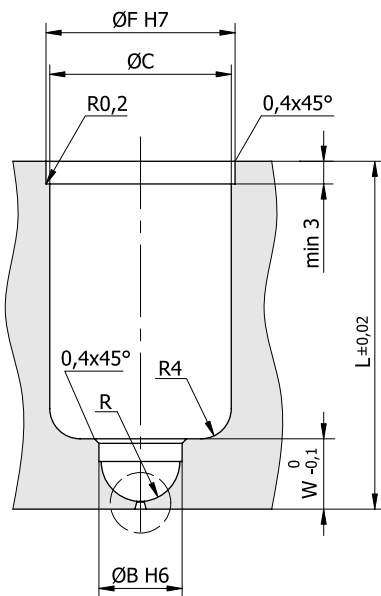
DOC and DO nozzles are in the standard version equipped with a spiral heater GS. Optionally they can be equipped with a tubular heater GT which is recommended for processing thermally sensitive plastics and technical plastics (page 32).

Single nozzles DOC and nozzles for multicavity moulds DO

Nozzle type	Ø A	Ø B	Ø C	Ø D	Ø F	Ø G	Ø P	Ø T	U	W	Ø X	
DOC DO	1	28	9	19	30	22	25	3	12	8	7,6	0,8 ÷ 2,0
	2	32	11	22	34	25	28	4,5	14	9	9,4	0,8 ÷ 2,5
	3	36	14	25	38	28	32	6	16	10,5	11,4	1,0 ÷ 3,0
	4	40	17	28	42	31	35	8	19	11	13,5	1,0 ÷ 3,5
	5	44	20	31	46	34	38	10	22	11,5	16,3	1,2 ÷ 4,0
	6	48	24	35	51	38	43	12	26	12,5	19,1	1,2 ÷ 4,5

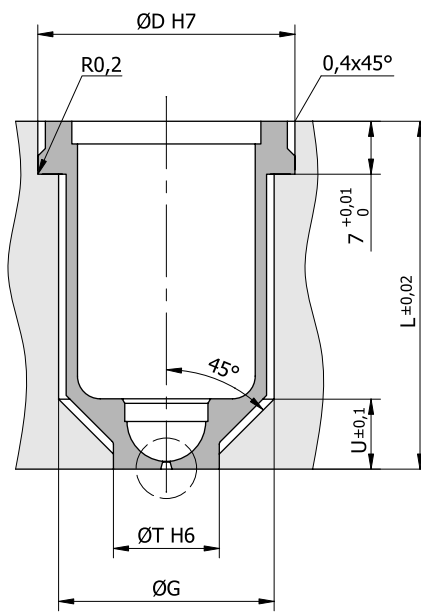


Nozzle seat for DOC and DO

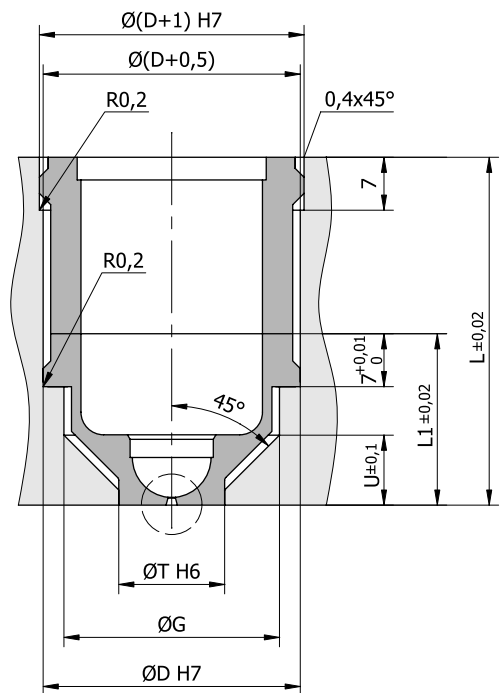


Nozzle seat for DOC and DO with TZ bushing

TZ1



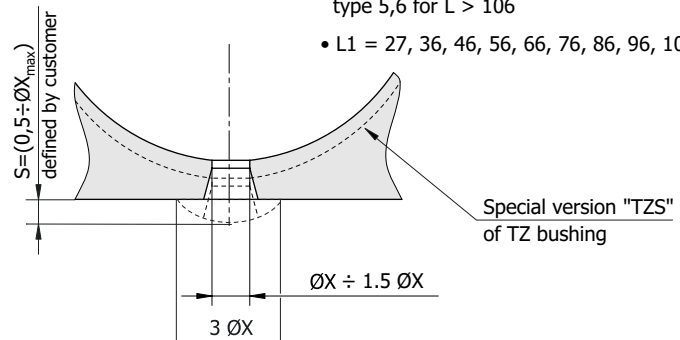
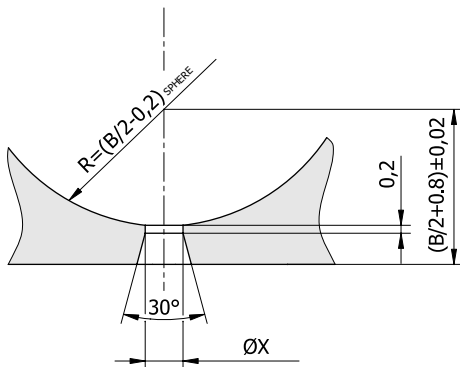
TZ2



- Recommended for the following nozzles:
type 1,2 for $L \leq 66$
type 3,4 for $L \leq 86$
type 5,6 for $L \leq 106$

- Recommended for the following nozzles:
type 1,2 for $L > 66$
type 3,4 for $L > 86$
type 5,6 for $L > 106$

- $L1 = 27, 36, 46, 56, 66, 76, 86, 96, 106$



How to order:

Nozzle type / Nozzle length / Tip type / For nozzles with TZ bushing gate diameter ØX and $L1$ for TZ2 / Rk – for single nozzles
Example: DOC-3 / L=96 / KS-O / TZ2: $\text{ØX}=1,2$; $L1=27$ / Rk=20